

Panasonic®

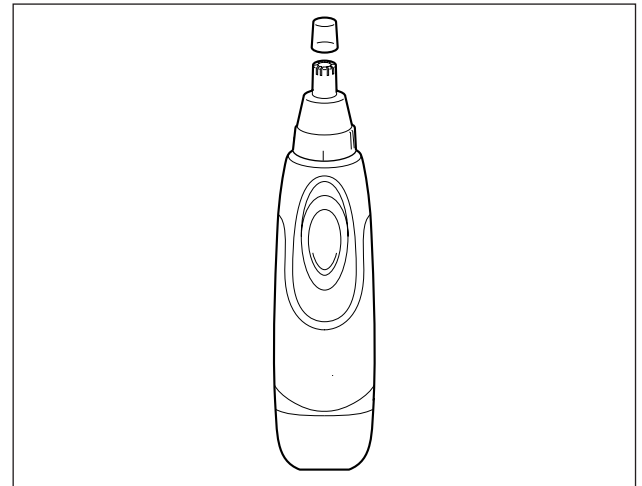
Nose & Ear Hair Trimmer
Operating Instructions

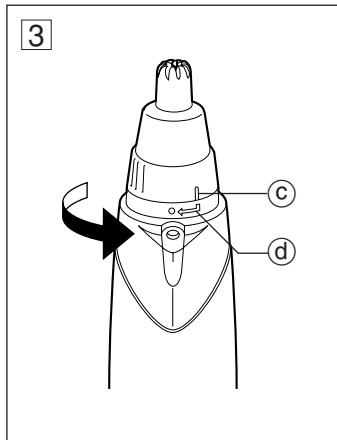
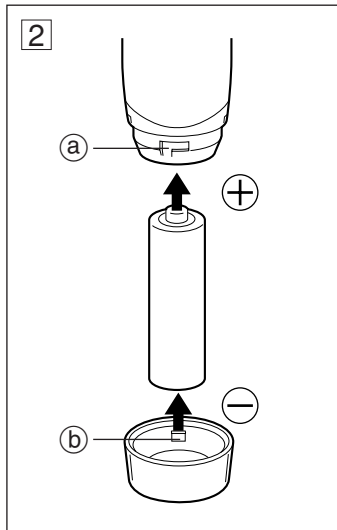
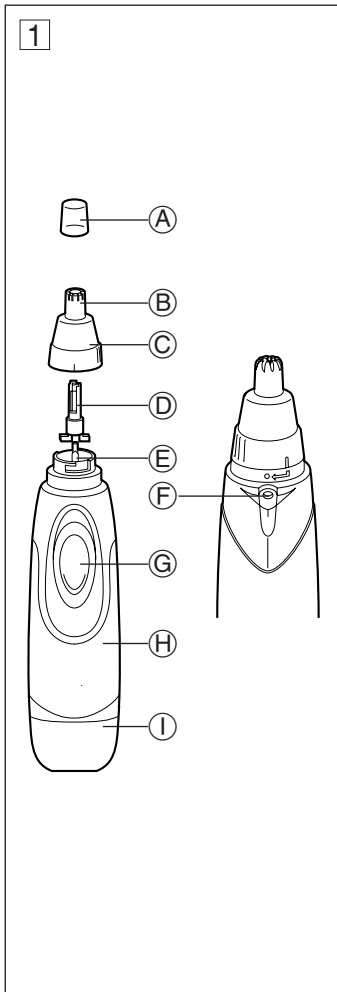
Model No. ER421

Service · Assistance · Accessories
800-338-0552
www.panasonic.com/personalcare

IN USA CONTACT:
Panasonic Consumer
Electronics Company
One Panasonic Way 2F-3
Secaucus, NJ 07094

IN PUERTORICO CONTACT:
Panasonic Sales Company
Division of Matsushita
Electric of Puerto Rico, Inc.
San Gabriel Industrial Park
65th Infantry Avenue KM9.5
Carolina, Puerto Rico 00630





Parts identification

(See fig. 1)

(A) Protective cap

(B) Outer blade

(C) Outer blade frame

(D) Inner blade

(E) Joint

(F) Light

(G) On/off switch

Slide the switch upward to turn the trimmer on.

(H) Body

(I) Battery cover

READ ALL INSTRUCTIONS BEFORE USE.

Replacing battery

(See fig. 2)

Turn the battery cover counter clockwise and match the line (a) with (b) and pull to remove. Insert one "AA" Alkaline battery. To replace the battery cover, reverse the above procedure.

Using your trimmer

Turn on the switch and carefully insert the tip of the outer blade frame into your nostril or ear hole to trim the nose and ear hairs. Built-in light illuminates the grooming area for complete grooming.

Maintenance

Be sure that the switch is turned off before removing, replacing or cleaning the blades.

To remove the outer blade frame, turn it and match the line (c) with (d) and pull upward. (See fig. 3)

Detach the inner blade from the outer blade. Wipe the blades with a tissue to remove any cut hairs, dust, etc. **THE WHOLE UNIT CAN BE WASHED IN WATER.**

DO NOT USE BOILED WATER.

Next, put the inner blade back into the outer blade. To attach the outer blade frame to the body, match the mark (c) with (d), and turn clockwise until it clicks in.

Caution

Do not insert the device further into your nostril or ear hole than the narrow tip on the outer blade. Also, do not press the trimmer forcefully into your nostril, or ear hole.

Do not attempt to use the device if the outer blade frame or blades are deformed or damaged, as injury to your nostril or ear hole may occur.

This trimmer is designed only for cutting nose or ear hairs. Do not attempt to use it for any other purpose. The blades have been precision manufactured. Do not subject them to excessive force, impact, etc.

Be sure that the switch is turned off before attempting to clean the blades. If used once a week for approx. 1 min. at a time, the life of the blades is approx. 3 years.

Specifications

Power source: 1.5V DC

(One "AA" Alkaline battery, not included)

Weight: 3.2 oz (90 g)

(including battery)

This product is intended for household use only.

FOR YOUR CONVENIENCE, WE HAVE ESTABLISHED A TOLL-FREE (IN USA ONLY) NATIONAL ACCESSORY PURCHASE HOT LINE AT 1-800-338-0552.